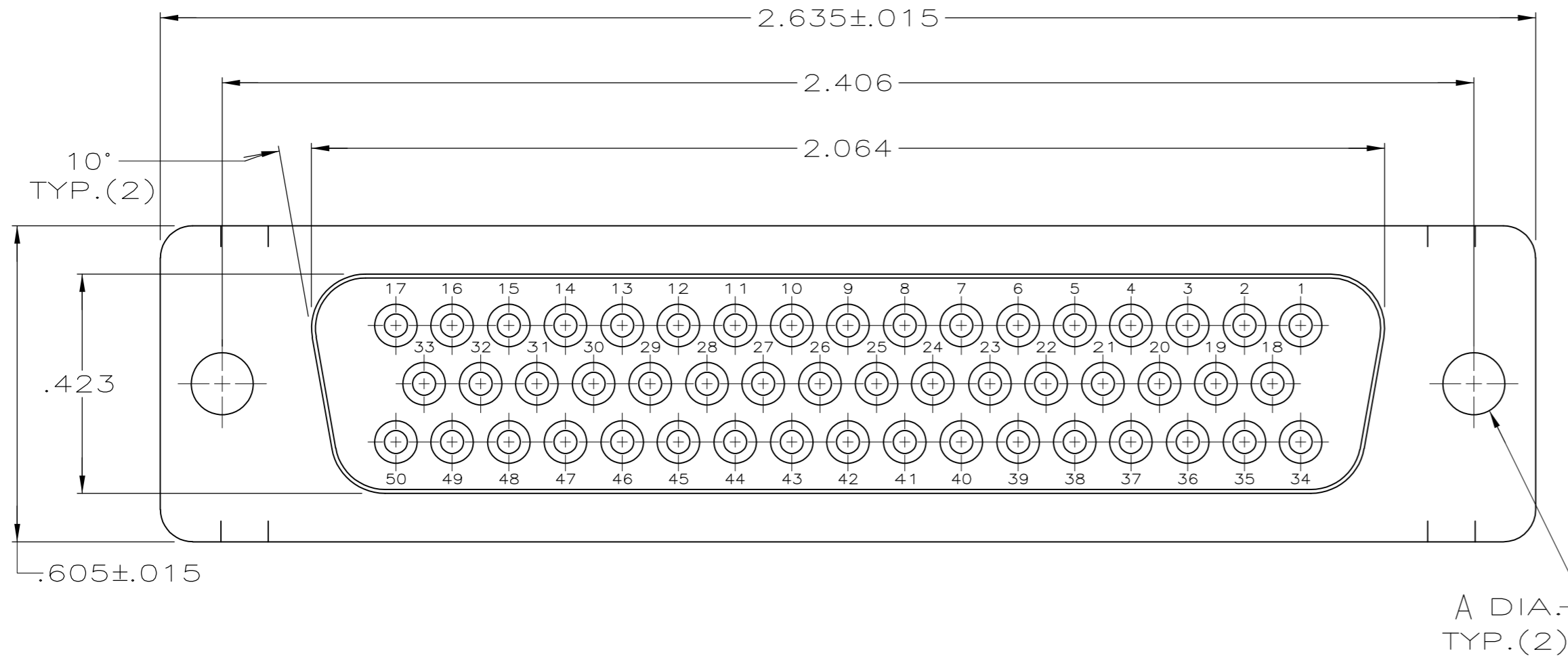
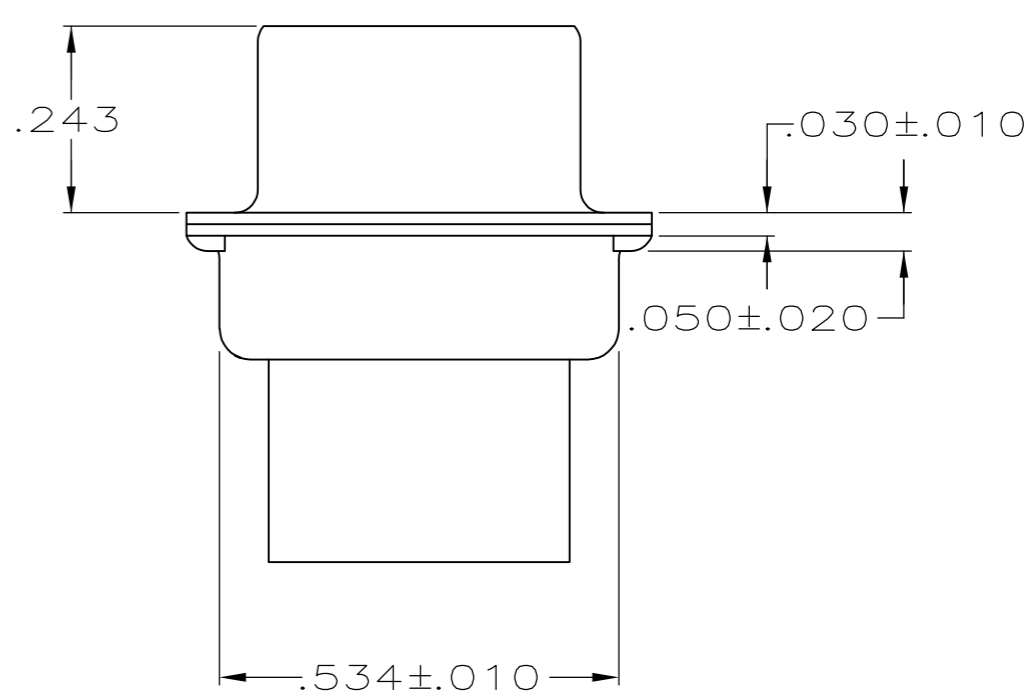
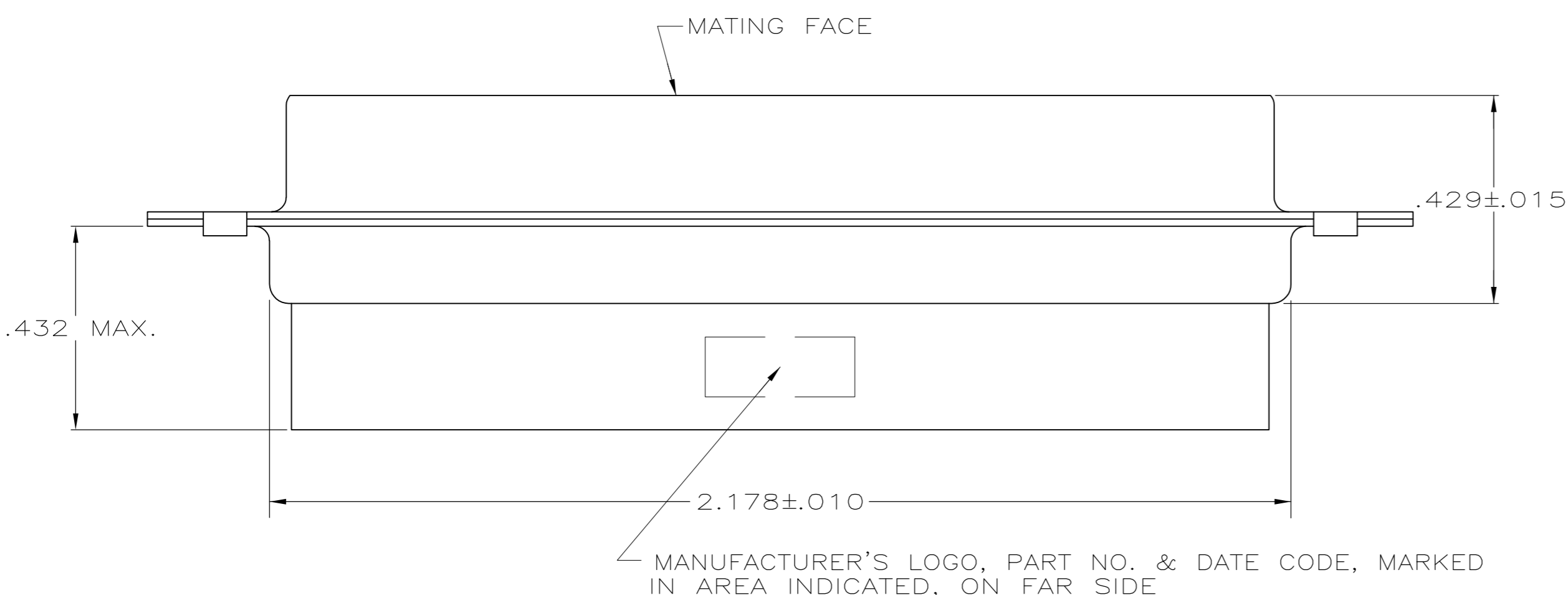


THIS DRAWING IS UNPUBLISHED. RELEASED FOR PUBLICATION  
 © COPYRIGHT BY TYCO ELECTRONICS CORPORATION. ALL RIGHTS RESERVED.

LOC		DIST		REVISIONS			
P	LTR	DESCRIPTION	DATE	DWN	APVD		
GP	00	A1	REVISED PER ECO-07-007540	21JUN07	JDP	CWR	



- 1 .CONNECTOR ACCEPTS SIZE 20 DF SOCKET CONTACTS, RETENTION TINES ARE AN INTEGRAL PART OF INSERT.
- 2 MOLDED PARTS:  
FLAME RETARDANT 94V-0 RATED GLASS FILLED NYLON, BLACK.
- 3 SHELLS: STEEL PER ASTM A109.
- 4 .000200 MIN TIN PLATE OVER .000100 MIN COPPER UNDERPLATE.
- 5 ZINC PLATED .000200-.000400 THICK, YELLOW CHROMATE COATING.



STANDARD	5	.120	1658640-2
STANDARD	4	.120	1658640-1
PACKAGING TYPE		A	PART NO.

THIS DRAWING IS A CONTROLLED DOCUMENT.		DWN	J.REITZEL	29 JUL 03	Tyco Electronics Corporation Harrisburg, PA 17105-3608	
DIMENSIONS: INCHES		CHK	S.BOLASH	29 JUL 03		
TOLERANCES UNLESS OTHERWISE SPECIFIED:		APVD	M.WALMSLEY	29 JUL 03		
0 PLC ± - 1 PLC ± - 2 PLC ± - 3 PLC ± .005 4 PLC ± - ANGLES ± 2°		PRODUCT SPEC	108-40005			
MATERIAL		FINISH	SHELLS: SEE TABLE		NAME	RECEPTACLE CONNECTOR, SIZE 5, 50 POS., AMPLIMITE HDP
		WEIGHT	-		SIZE	A2
CUSTOMER DRAWING		SCALE	4:1		CAGE CODE	00779
		SHEET	1 of 1		DRAWING NO	C=1658640
		REV	A1		RESTRICTED TO	-

1658640